

DATA SHEET

**DT 4.8**

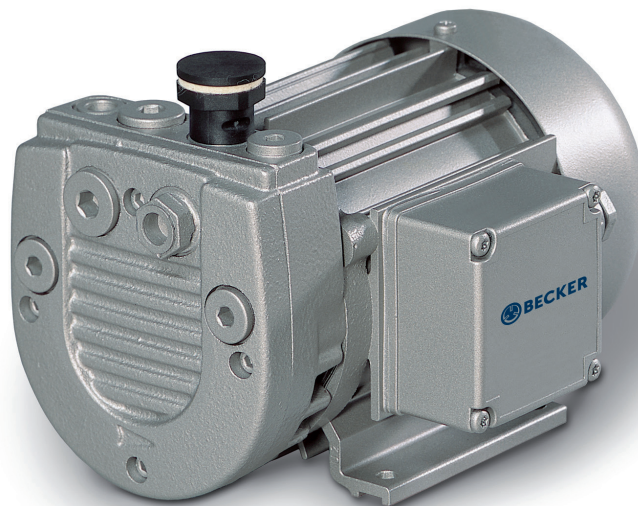
# ROTARY VANE COMPRESSORS

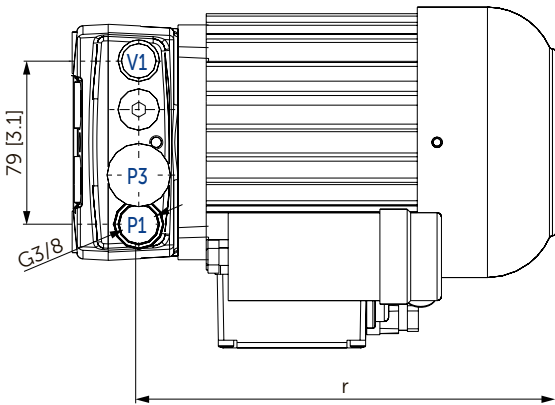
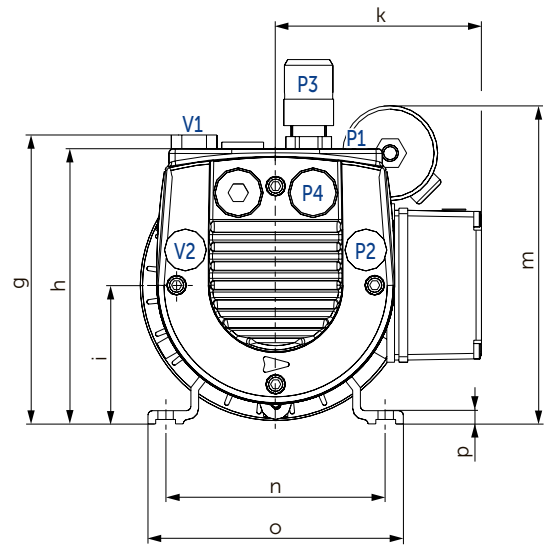
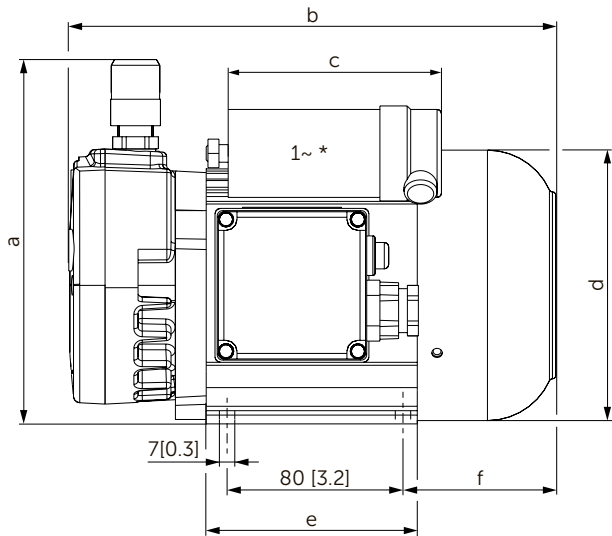
oil-free

air-cooled

---

**MAKE IT BECKER.**





- P1 (P2) Pressure connection (G $\frac{3}{8}$ )
- P3 (P4) Pressure regulating valve
- V1 (V2) Air nozzle
- (XX) Alternative

- \* The size and position of the capacitor can change with changed voltage / frequency.
- Including integrated suction air filter
- The motor illustration may vary
- Dimensions in mm [inch]

Motors		mm [inch]														
#		a	b	c	d	e	f	g	h	i	k	m	n	o	p	r
3~	01	171.5 [6.8]	231 [9.1]	-	125 [4.9]	96 [3.9]	69.5 [2.7]	140 [5.5]	131 [5.2]	63 [2.5]	93 [3.7]	-	100 [3.9]	116 [4.6]	6 [0.24]	198 [7.8]
3~	02	179.5 [7.1]	250 [9.9]	-	141 [5.6]	101 [4.0]	82.5 [3.3]	148 [5.8]	139 [5.5]	71 [2.8]	101 [4.0]	-	112 [4.4]	136 [5.4]	7 [0.27]	219 [8.6]
1~	01	171.5 [6.8]	251 [9.9]	≈94 [≈3.7]	125 [4.9]	116 [4.6]	89.5 [3.5]	140 [5.5]	131 [5.2]	63 [2.5]	93 [3.7]	143 [5.6]	100 [3.9]	116 [4.6]	6 [0.24]	198 [7.8]

Blast air rate		Pressure relative		Emission sound pressure level <sup>1)</sup>		Weight incl. motor <sup>2)</sup>
m <sup>3</sup> /h		mbar		dB(A)		kg
50 Hz	60 Hz	50 Hz	60 Hz	50 Hz	60 Hz	
8.0	9.5	+1.0	+1.0	58.0	61.5	≈9.5

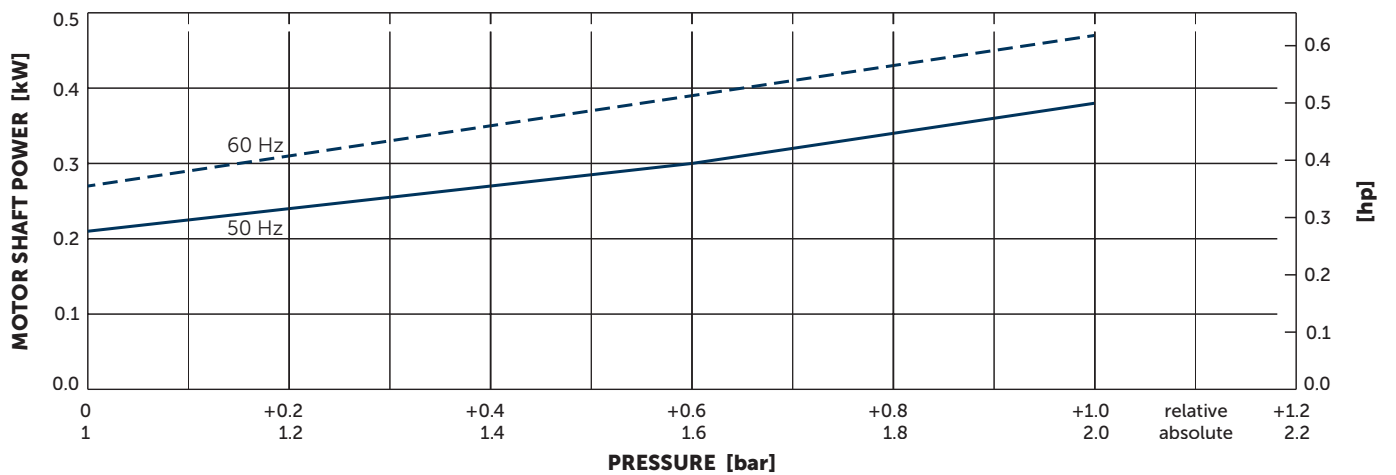
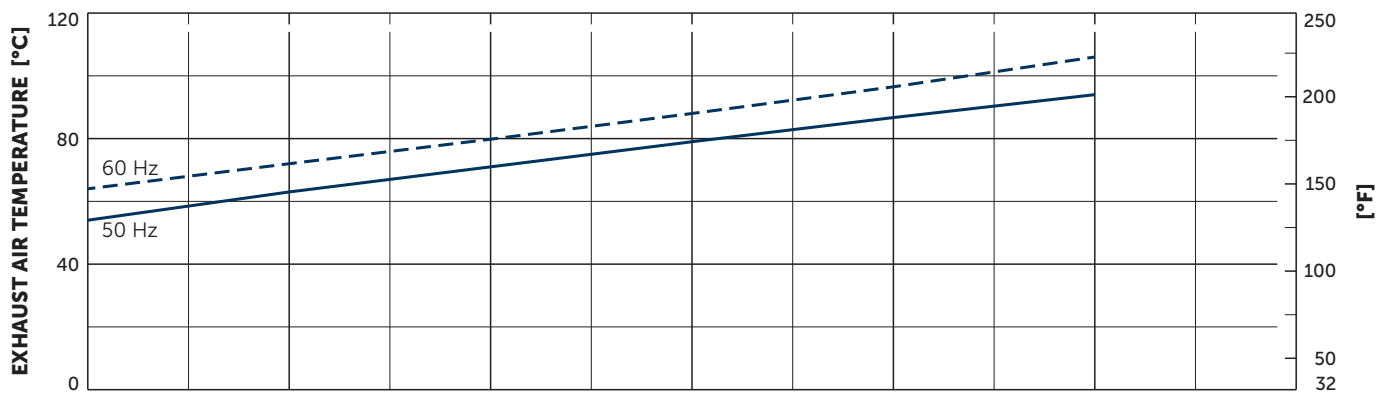
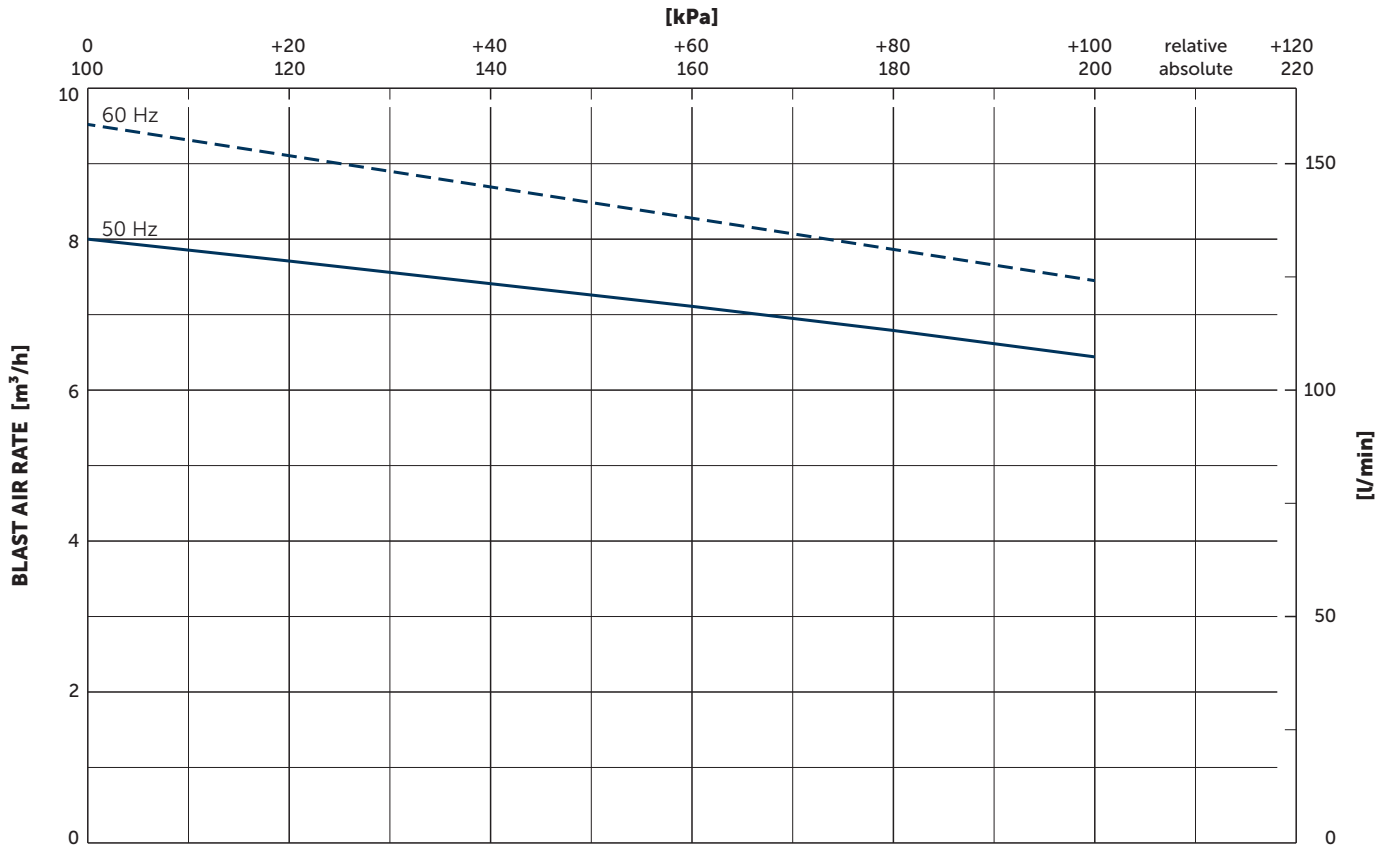
<sup>1)</sup> According to DIN EN ISO 3744 (KpA = 3 dB(A)), 1 m [39.4 inch] distance, at medium load, both connection sides piped

<sup>2)</sup> Depending on the motor

3~ Motors											
#	50 Hz				60 Hz				Version		
	kW	V	rpm	A	kW	V	rpm	A			
01	0.37	Δ230/Y400	IE2	2920	2.30/1.33	0.44	Δ265/Y460	IE3	3515	2.13/1.23	
						0.37	Δ230/Y400	IE3	3480	1.90/1.10	IP55 • ISO F • bimetal
						0.44	Δ208/Y360	IE4	3455	1.90/1.10	
02	0.37	175–260/ 300–450		2800	2.35/1.35	0.44	202–300/ 350–520		3150	2.40/1.40	IP54 • ISO F

1~ Motor										
#	50 Hz				60 Hz				Version	
	kW	V	rpm	A	kW	V	rpm	A		
01	0.35	230 ±10%	2700	3.9	0.42	230 ±10%	3200	3.4	IP54 • ISO F • bimetal 10 μF (450 V)	

- Current consumption and rotation speed may vary. Tolerance in each case -1.5/+2%

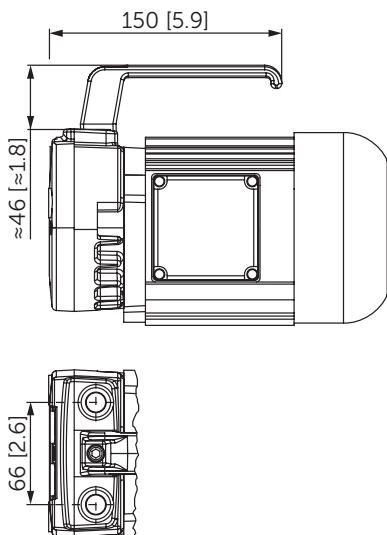


Reference data (atmosphere): 1000 mbar (100 kPa), 20°C (68°F)  
 Tolerance: ±10%

## **+** VARIANTS AND ACCESSORIES

### **DT 4.8/0-28**

- with handle



- Dimensions in mm [inch] – For other dimensions, see the figure on page 2.



**MAKE IT BECKER.**